

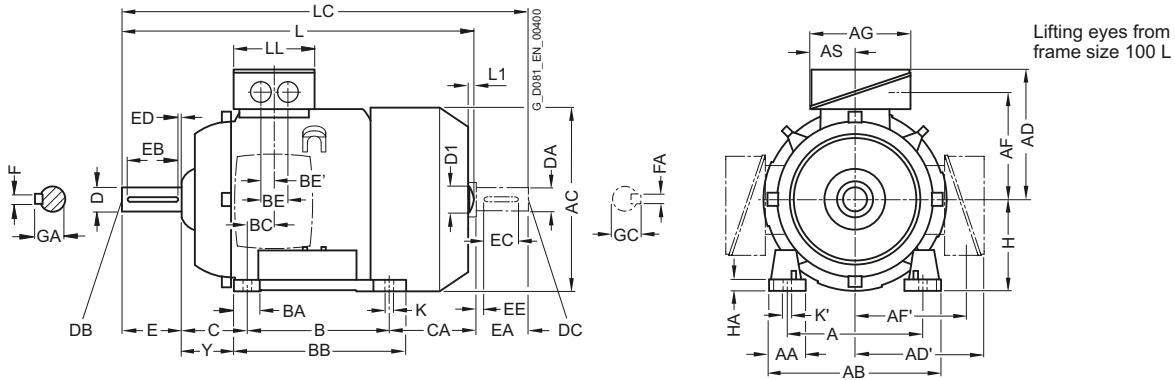
Dimensions

SIMOTICS GP 1LE1 standard motors

Aluminum series, self-ventilated with increased power – IE1, IE2 · Frame sizes 80 M to 200 L

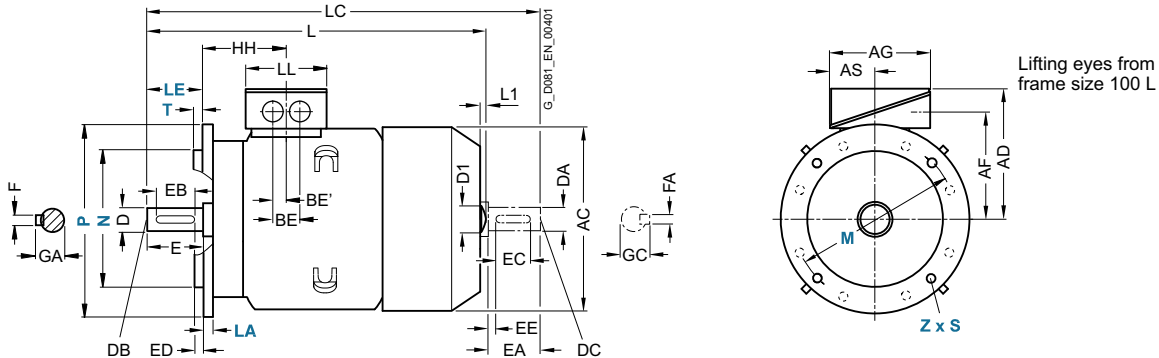
Dimensional drawings

Type of construction IM B3



Types of construction IM B5 and IM V1

For flange dimensions, see page 1/53 (Z = the number of retaining holes)



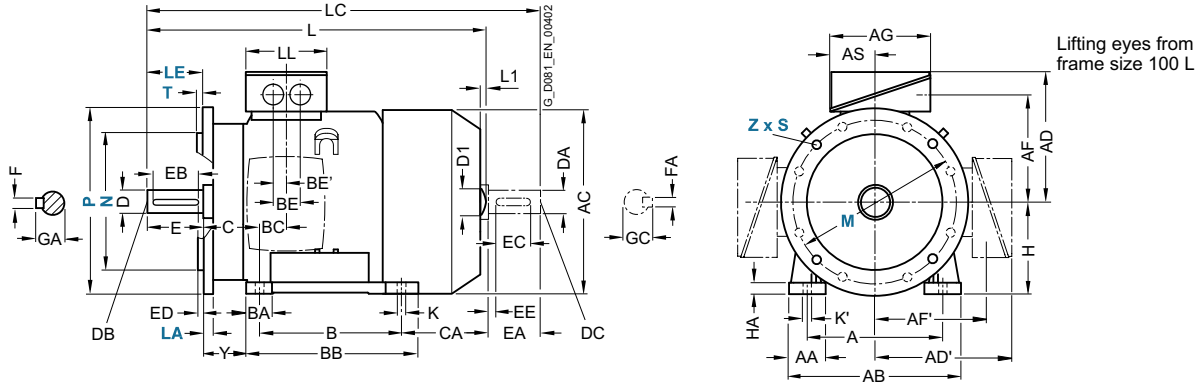
| For motor | | | Dimension designation acc. to IEC | | | | | | | | | | | | | | | | | | | | | |
|------------|--------------------|--------------|-----------------------------------|------|-----|-----|-------|-------|-------|-------|-----|-------|-----|------|------|-----|------|----|------------------|-----|-----|-----|----|-----|
| Frame size | Motor type | No. of poles | A | AA | AB | AC | AD | AD' | AF | AF' | AG | AS | B | BA | BA' | BB | BC | BE | BE' | C | CA | H | HA | Y |
| 80 M | All | 2, 4 | 125 | 30.5 | 150 | 159 | 121.5 | 121.5 | 96.5 | 96.5 | 93 | 43 | 100 | 32 | 32 | 118 | 23 | - | 18 ¹⁾ | 50 | 148 | 80 | 8 | 41 |
| 90 L | All | 2, 4 | 140 | 30.5 | 165 | 178 | 126 | 126 | 101.5 | 101.5 | 93 | 43 | 125 | 33 | 54 | 143 | 22.5 | - | 18 ¹⁾ | 56 | 174 | 90 | 10 | 47 |
| 100 L | All | 2, 4, 6, 8 | 160 | 42 | 196 | 198 | 166 | 166 | 125.5 | 125.5 | 135 | 63.5 | 140 | 37.5 | 37.5 | 176 | 33.5 | 50 | 25 | 63 | 176 | 100 | 12 | 45 |
| 112 M | All | 2, 4, 6, 8 | 190 | 46 | 226 | 222 | 177 | 177 | 136.5 | 136.5 | 135 | 63.5 | 140 | 37.5 | 37.5 | 176 | 26 | 50 | 25 | 70 | 155 | 112 | 12 | 52 |
| 132 M | All | 2, 4, 6, 8 | 216 | 53 | 256 | 262 | 202 | 202 | 159.5 | 159.5 | 155 | 70.5 | 178 | 38 | 76 | 218 | 26.5 | 48 | 24 | 89 | 179 | 132 | 15 | 69 |
| 160 L | All | 2, 4, 6, 8 | 254 | 60 | 300 | 314 | 236.5 | 236.5 | 190 | 190 | 175 | 77.5 | 254 | 44 | 89 | 300 | 47 | 57 | 28.5 | 108 | 208 | 160 | 18 | 85 |
| 180 L | 1LE1001 1LE1002 | 2, 4, 6, 8 | 279 | 65 | 339 | 356 | 259 | 259 | 212.5 | 212.5 | 175 | 77.5 | 279 | 80 | 100 | 328 | 30 | 57 | 28.5 | 121 | 194 | 180 | 20 | 95 |
| 200 L | 1LE1001 1LE1002 | 2, 4, 6, 8 | 318 | 70 | 378 | 396 | 296 | 296 | 238 | 238 | 225 | 102.5 | 305 | 90 | 100 | 355 | 45 | 75 | 37.5 | 133 | 202 | 200 | 25 | 108 |

¹⁾ Only one termination hole available.

Dimensional drawings (continued)

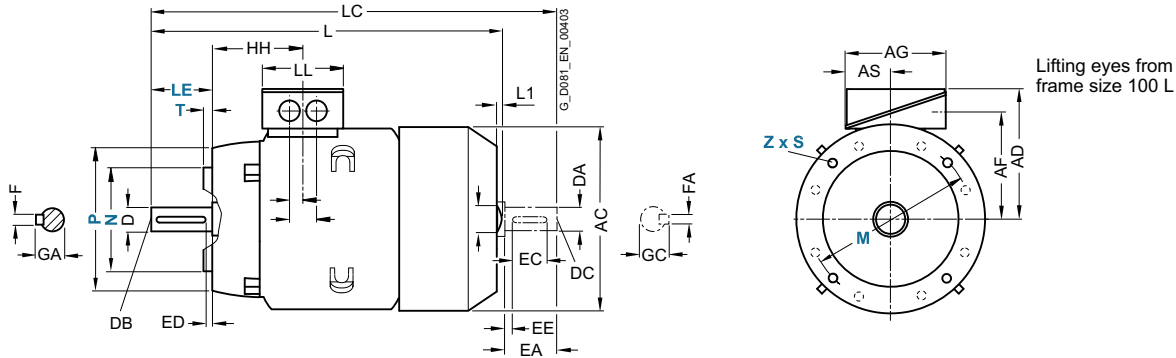
Type of construction IM B35

For flange dimensions, see page 1/53 (**Z** = the number of retaining holes)



Type of construction IM B14

For flange dimensions, see page 1/53 (**Z** = the number of retaining holes)



| For motor Frame size | Motor type | No. of poles | Dimension designation acc. to IEC | | | | | | | DE shaft extension | | | | | NDE shaft extension | | | | | | | | | |
|-------------------------|--------------------|--------------|-----------------------------------|------|------|-----------------|-----|----|-------|--------------------|----|-----|-----|-----|---------------------|----|------|----|-----|-----|-----|----|----|------|
| | | | HH | K | K' | L ¹⁾ | L1 | D1 | LC | LL | D | DB | E | EB | ED | F | GA | DA | DC | EA | EC | EE | FA | GC |
| 80 M | All | 2, 4 | 73 | 9.5 | 13.5 | 327 | 327 | - | 378 | 79 | 19 | M6 | 40 | 32 | 4 | 6 | 21.5 | 19 | M6 | 40 | 32 | 4 | 6 | 21.5 |
| 90 L | All | 2, 4 | 78.5 | 10 | 14 | 387 | - | - | 445 | 79 | 24 | M8 | 50 | 40 | 5 | 8 | 27 | 19 | M6 | 40 | 32 | 4 | 6 | 21.5 |
| 100 L | All | 2, 4, 6, 8 | 96.5 | 12 | 16 | 430.5 | 7 | 32 | 489 | 112 | 28 | M10 | 60 | 50 | 5 | 8 | 31 | 24 | M8 | 50 | 40 | 5 | 8 | 27 |
| 112 M | All | 2, 4, 6, 8 | 96 | 12 | 16 | 414 | 7 | 32 | 475 | 112 | 28 | M10 | 60 | 50 | 5 | 8 | 31 | 24 | M8 | 50 | 40 | 5 | 8 | 27 |
| 132 M | All | 2, 4, 6, 8 | 115.5 | 12 | 16 | 515 | 8.5 | 39 | 585.5 | 130 | 38 | M12 | 80 | 70 | 5 | 10 | 41 | 28 | M10 | 60 | 50 | 5 | 8 | 31 |
| 160 L | All | 2, 4, 6, 8 | 155 | 15 | 19 | 664 | 10 | 45 | 790 | 145 | 42 | M16 | 110 | 90 | 10 | 12 | 45 | 42 | M16 | 110 | 90 | 10 | 12 | 45 |
| 180 L | 1LE1001 1LE1002 | 2, 4, 6 | 151 | 14.5 | 19 | 698 | - | - | 814 | 145 | 48 | M16 | 110 | 100 | 5 | 14 | 52 | 48 | M16 | 110 | 100 | 5 | 14 | 52 |
| 200 L | 1LE1001 1LE1002 | 2, 4, 6 | 178 | 18.5 | 25 | 746 | - | - | 860 | 185 | 55 | M20 | 110 | 100 | 5 | 16 | 59 | 55 | M20 | 110 | 100 | 5 | 16 | 59 |

¹⁾ The length is specified as far as the tip of the fan cover.