

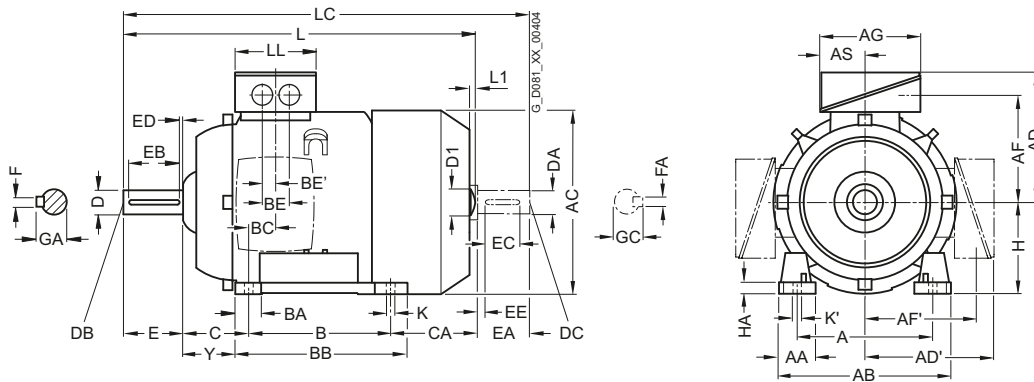
## Dimensions

### SIMOTICS GP 1LE1 standard motors

Aluminum series, self-ventilated – IE3, NEMA Premium Efficient · Frame sizes 80 M to 90 L

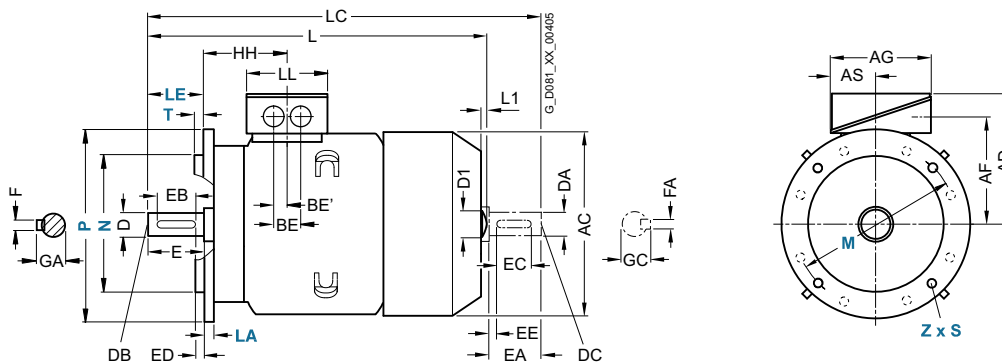
#### Dimensional drawings

##### Type of construction IM B3



##### Types of construction IM B5 and IM V1

For flange dimensions, see page 1/53 (Z = the number of retaining holes)



For motor		Dimension designation acc. to IEC																												
Frame size	Motor type	No. of poles	A	AA	AB	AC	AD	AD'	AF	AF'	AG	AS	B	BA	BB	BC	BE	BE'	C	CA	H	HA	Y							
80 M	1LE1003-0DA2,	2, 4, 6	125	30.5	150	159	121.5	121.5	96.5	96.5	93	43	100	32	118	23	- <sup>1)</sup>	18 <sup>1)</sup>	50	113	80	8	41							
	-0DB2,																													
	-0DC2																													
	-0DA3,	2																						149.5	149.5	112	112	119.5	61.5	113
	-0DB3,																													
	-0DC3																													
1LE1043-0DA2,	2, 4, 6	149.5	149.5	112	112	119.5	61.5	113																						
-0DB2,																														
-0DC2																														
-0DA3,	2, 4, 6	148	148	112	112	119.5	61.5	113																						
-0DB3,																														
-0DC3																														
90 S	1LE1003-0EA0,	2, 4, 6	140	30.5	165	178	126	126	101.5	101.5	93	43	100	33	143	22.5	- <sup>1)</sup>	18 <sup>1)</sup>	56	159	90	10	47							
	-0EB0,																													
	-0EC0																													
	1LE1043-0EA0,	2, 4, 6																						154.5	154.5	117	117	119.5	61.5	113
	-0EB0,																													
	-0EC0																													
1LE1023-0EA0,	2, 4, 6	154.5	154.5	117	117	119.5	61.5	113																						
-0EB0,																														
-0EC0																														
90 L	1LE1003-0EA4,	2, 4, 6	140	30.5	165	178	126	126	101.5	101.5	93	43	125	33	143	22.5	- <sup>1)</sup>	18 <sup>1)</sup>	56	154	90	10	47							
	-0EB4,																													
	-0EC4																													
	1LE1043-0EA4,	2, 4																						154.5	154.5	117	117	119.5	61.5	113
	-0EB4																													
	-0EC4																													
1LE1023-0EA4,	2, 4, 6	154.5	154.5	117	117	119.5	61.5	113																						
-0EB4,																														
-0EC4																														

<sup>1)</sup> Only one termination hole available, except for 1LE1023. In this case, dimension BE is 32 mm.



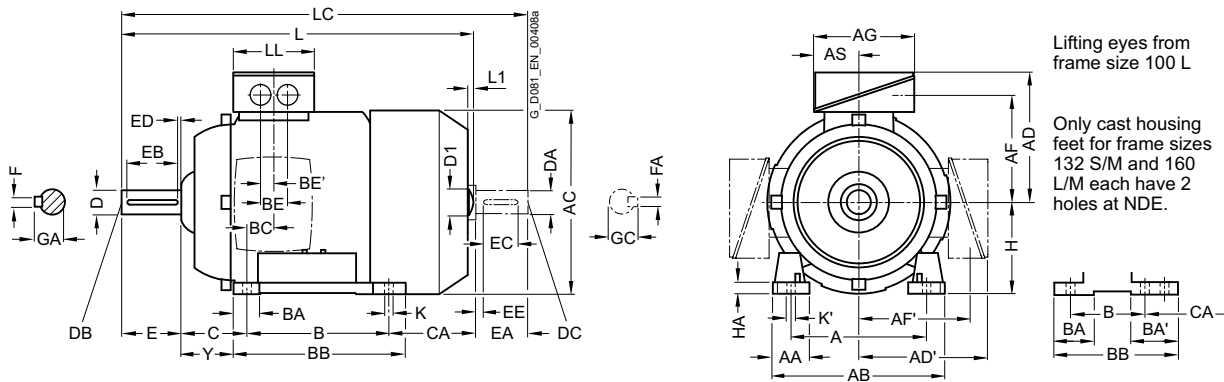
## Dimensions

### SIMOTICS GP 1LE1 standard motors

Aluminum series, self-ventilated – IE3, NEMA Premium Efficient · Frame sizes 100 L to 200 L

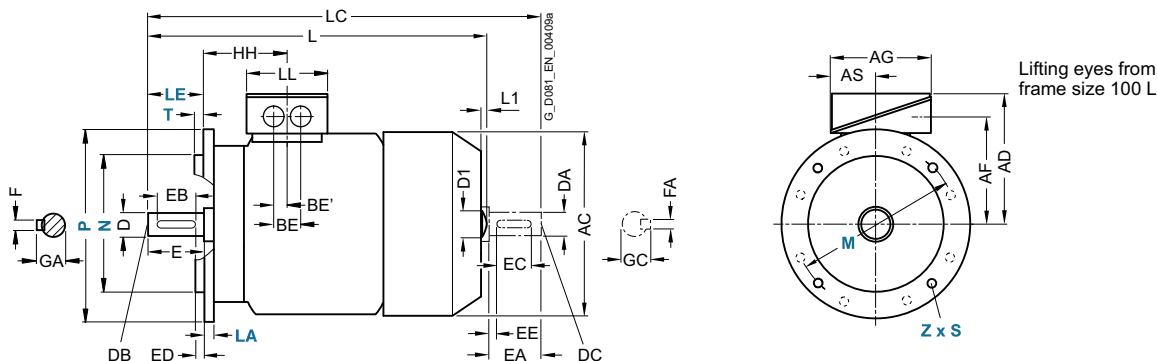
#### Dimensional drawings

##### Type of construction IM B3



##### Types of construction IM B5 and IM V1

For flange dimensions, see page 1/53 (Z = the number of retaining holes)



For motor			Dimension designation acc. to IEC																					
Frame size	Motor type	No. of poles	A	AA	AB	AC	AD	AD'	AF	AF'	AG	AS	B	BA	BA'	BB	BC	BE	BE'	C	CA	H	HA	Y
100 L	1AA4, 1AB4, 1AB5, 1AC3	2, 4, 6	160	42	196	198	166	166	125.5	125.5	135	63.5	140	37.5	37.5	176	33.5	50	25	63	176	100	12	45
112 M	1BA2, 1BB2	2, 4, 6	190	46	226	222	177	177	136.5	136.5	135	63.5	140	37.5	37.5	176	26	50	25	70	155	112	12	52
132 S	1CA0, 1CC0, 1CD0	2, 6, 8	216	53	256	262	202	202	159.5	159.5	155	70.5	140	38	76 <sup>1)</sup>	218 <sup>2)</sup>	26.5	48	24	89	167	132	15	69
132 M	1CA1, 1CB0	2, 4																			217			
	1CC2	6	216	53	256	262	202	202	159.5	159.5	155	70.5	178	38	76	218	26.5	48	24	89	129	132	15	69
	1CB2, 1CC3, 1CD2	4, 6, 8																			179			
160 M	1DA2, 1DA3, 1DB2, 1DC2, 1DD2, 1DD3	2, 4, 6, 8	254	60	300	314	236.5	236.5	190	190	175	77.5	210	44	89 <sup>3)</sup>	300 <sup>4)</sup>	47	57	28.5	108	192	160	18	85
160 L	1DA4, 1DB4, 1DC4, 1DD4	2, 4, 6, 8	254	60	300	314	236.5	236.5	190	190	175	77.5	254	44	89	300	47	57	28.5	108	208	160	18	85
180 M	1EA2 1EB2	2, 4	279	65	339	356	259	259	212.5	212.5	175	77.5	241	80	100	328	30	57	28.5	121	232	180	20	95
180 L	1EB4, 1EC4, 1ED4	4, 6, 8	279	65	339	356	259	259	212.5	212.5	175	77.5	279	80	100	328	30	57	28.5	121	194	180	20	95
200 L	2AA4, 2AA5, 2AB5, 2AC4, 2AC5, 2AD5	2, 4, 6, 8	318	70	378	396	296	296	238	238	225	102.5	305	90	100	355	45	75	37.5	133	202	200	25	108

1) With screwed-on feet, dimension BA' is 38 mm.  
2) With screwed-on feet, dimension BB is 180 mm.

3) With screwed-on feet, dimension BA' is 44 mm.  
4) With screwed-on feet, dimension BB is 256 mm.

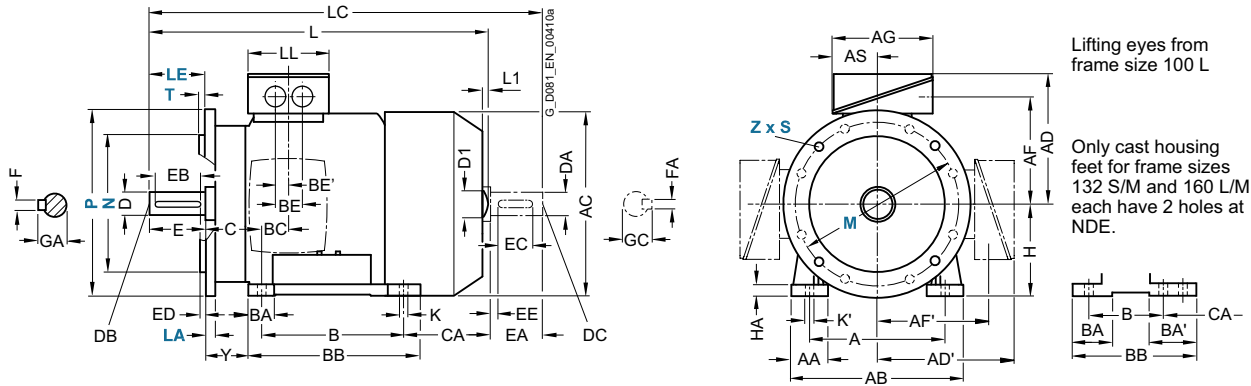
# Dimensions SIMOTICS GP 1LE1 standard motors

Aluminum series, self-ventilated – IE3, NEMA Premium Efficient · Frame sizes 100 L to 200 L

## Dimensional drawings (continued)

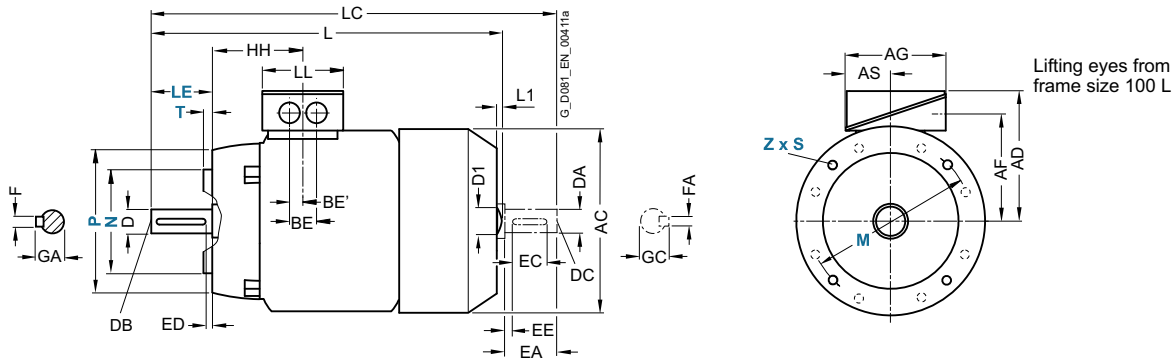
### Type of construction IM B35

For flange dimensions, see page 1/53 ( $Z$  = the number of retaining holes)



### Type of construction IM B14

For flange dimensions, see page 1/53 ( $Z$  = the number of retaining holes)



Frame size	Motor type	No. of poles	Dimension designation acc. to IEC							DE shaft extension					NDE shaft extension									
			HH	K	K'	L <sup>1)</sup>	L1	D1	LC	LL	D	DB	E	EB	ED	F	GA	DA	DC	EA	EC	EE	FA	GC
100 L	1AA4, 1AB4, 1AB5, 1AC3	2, 4, 6	96.5	12	16	430.5	7	32	489	112	28	M10	60	50	5	8	31	24	M8	50	40	5	8	27
112 M	1BA2, 1BB2	2, 4, 6	96	12	16	414	7	32	475	112	28	M10	60	50	5	8	31	24	M8	50	40	5	8	27
132 S	1CA0, 1CC0, 1CD0	2, 6, 8	115.5	12	16	465	8.5	39	535.5	130	38	M12	80	70	5	10	41	28	M10	60	50	5	8	31
	1CA1, 1CB0	2, 4				515			585.5															
132 M	1CC2	6	115.5	12	16	465	8.5	39	535.5	130	38	M12	80	70	5	10	41	28	M10	60	50	5	8	31
	1CB2, 1CC3, 1CD2	4, 6, 8				515			585.5															
160 M	1DA2, 1DA3, 1DB2, 1DC2, 1DD2, 1DD3	2, 4, 6, 8	155	15	19	604	10	45	730	145	42	M16	110	90	10	12	45	42	M16	110	90	10	12	45
160 L	1DA4, 1DB4, 1DC4, 1DD4	2, 4, 6, 8	155	15	19	664	10	45	790	145	42	M16	110	90	10	12	45	42	M16	110	90	10	12	45
180 M	1EA2 1EB2	2, 4	151	14.5	19	698	–	–	814	145	48	M16	110	100	5	14	52	48	M16	110	100	5	14	52
180 L	1EB4, 1EC4, 1ED4	4, 6, 8	151	14.5	19	698	–	–	814	145	48	M16	110	100	5	14	52	48	M16	110	100	5	14	52
200 L	2AA4, 2AA5, 2AB5, 2AC4, 2AC5, 2AD5	2, 4, 6, 8	178	18.5	25	746	–	–	860	185	55	M20	110	100	5	16	59	55	M20	110	100	5	16	59

<sup>1)</sup> The length is specified as far as the tip of the fan cover.